

PRODUCT FOLDER



STOPPING



TURNING



LOCKING



THE STL-SYSTEM

A "MULTI-FUNCTION" UNIT ALL CONTAINED IN ONE CUSTOMER INTERFACE

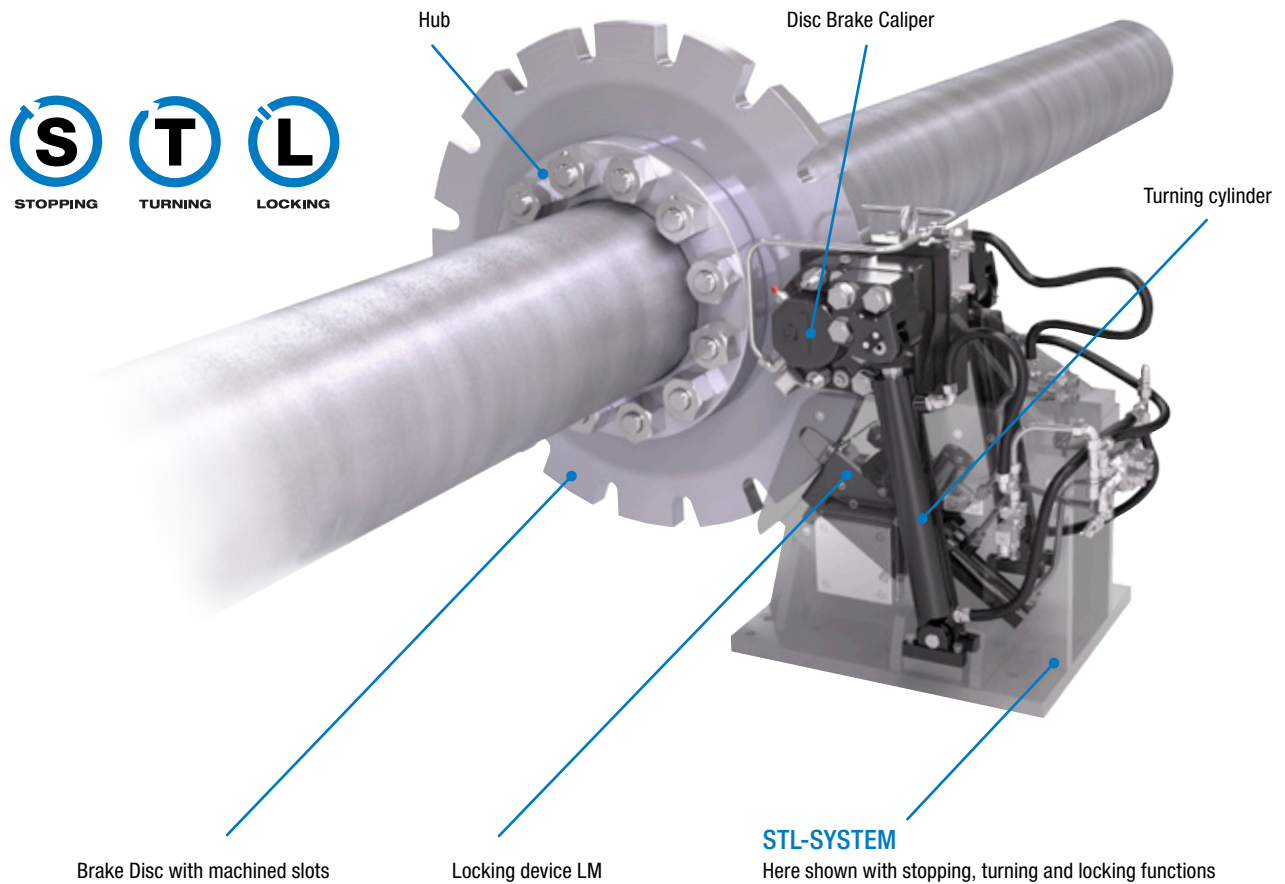
THE STL-SYSTEM OFFERS YOU ONE OR SEVERAL OF THREE FUNCTIONS

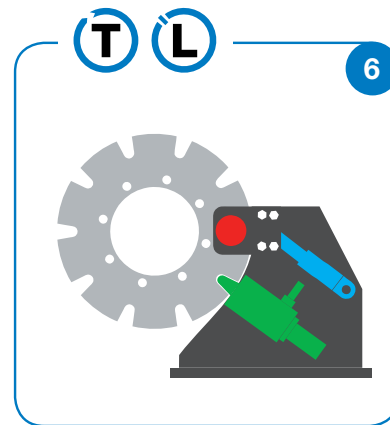
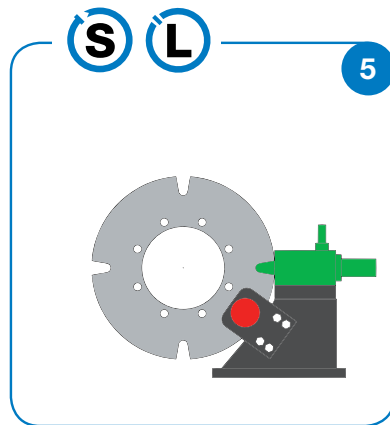
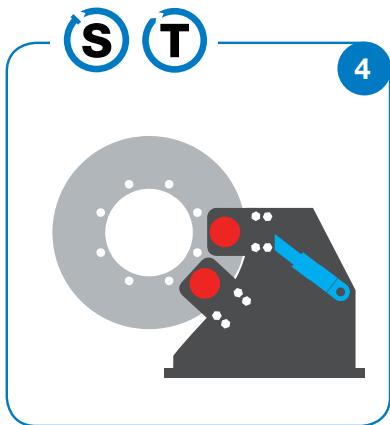
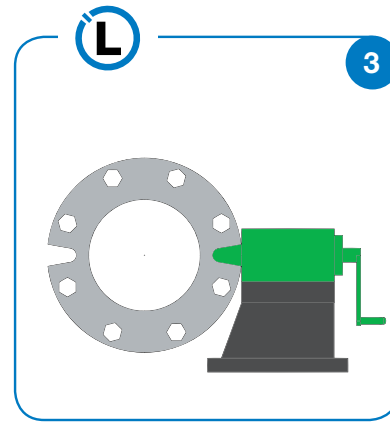
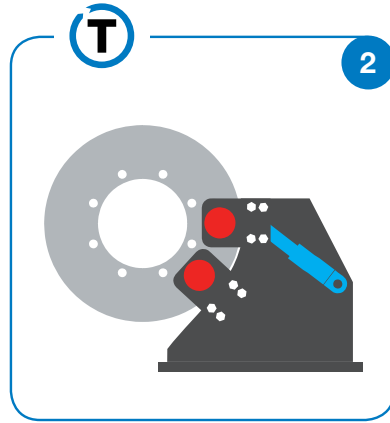
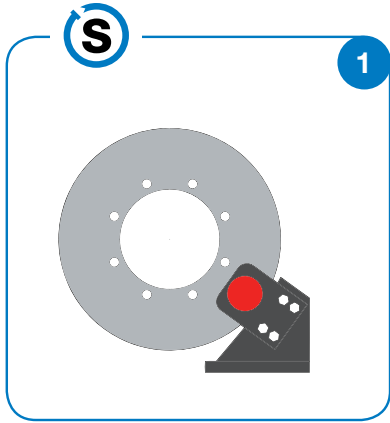
Stopping: Dellner Brakes' hydraulic or electric disc brake calipers effectively handle the stopping operation.

Turning: Mechanical linkages with hydraulic cylinders or electric motors positions the disc brakes. Together with an intelligent control system we turn or index the shaft – without the need for other turning devices.

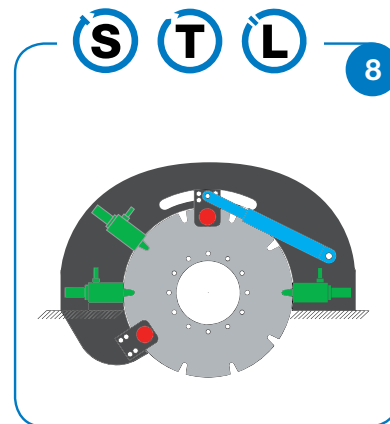
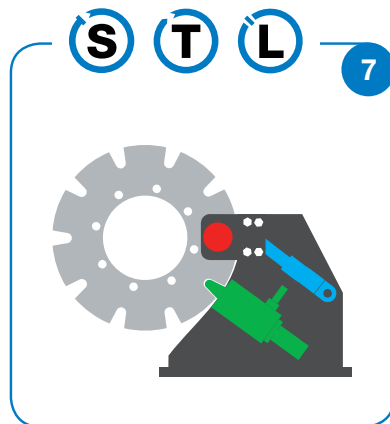
Locking: The locking Device LM has a specially designed tapered pawl that is engaged into a machined slot on the outer peripheral of the brake disc. This mechanically locks the shaft in place. The LM-device can be operated manually, hydraulically or electrically.

The STL-modular system is indeed a modular system so you can choose the function(s) needed. All from single S, T or L functions, combined dual functions in terms of SL, ST or TL to a complete STL system can be selected.





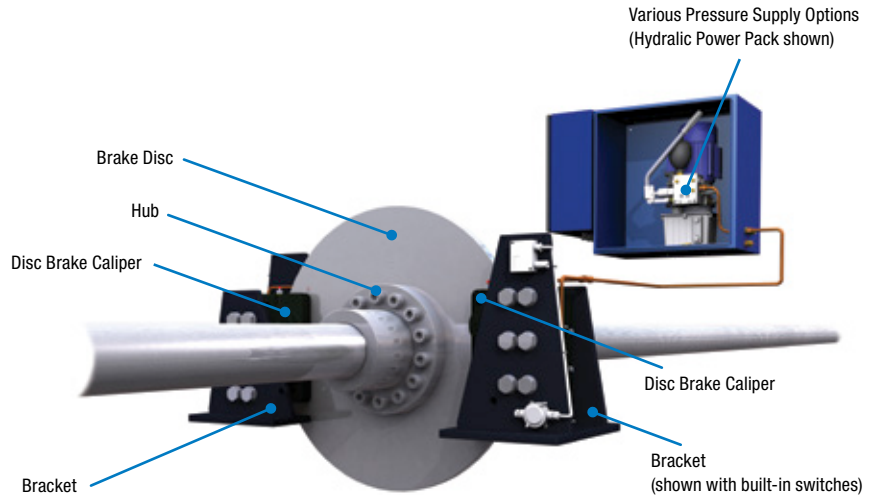
STL
CONFIGURATION
EXAMPLES



BRAKING SOLUTIONS

Scope of supply

- Pressure applied, disc brake calipers for stopping and/or holding applications, alternatively spring applied, hydraulic or electric released disc brakes for emergency and parking braking applications.
- Brake discs and hubs.
- Standard or customised mounting brackets.
- Various pressure supply options, see page 7

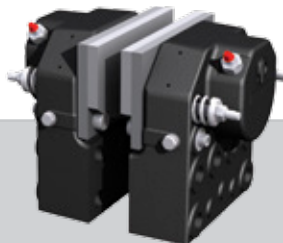


DISC BRAKES

HYDRAULIC PRESSURE APPLIED – SPRING RELEASED



SKD 35, SKD 50, SKD 65 & SKD 80
Braking force 8 000-41 400 N



SKD 90 & SKD 100
Braking force 104 600-129 200 N



SKD 4 x 100
Braking force 258 800 N



SKD 4 x 125
Braking force 404 200 N

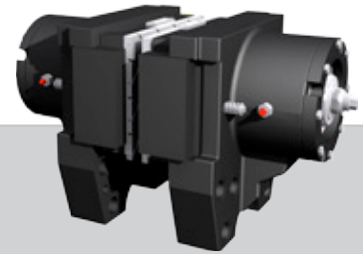
SPRING APPLIED – HYDRAULIC RELEASED



SKP 50 & SKP 95
Braking force 2700-33500 N



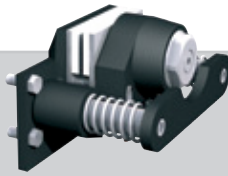
SKP 140
Braking force 26300-117600 N



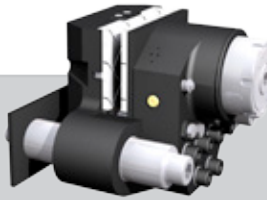
SKP 220
Braking force 98700-298000 N



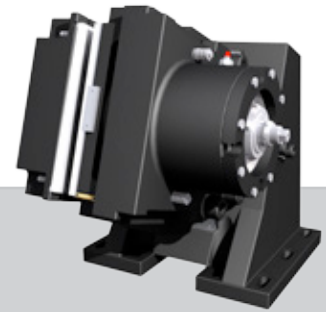
SKP 65 SA
Braking force 2000-18200 N



SKP 95 SA
Braking force 10700-33500 N



SKP 140 SA
Braking force 26300-117600 N



SKP 220 SA
Braking force 98700-294400 N

SPRING APPLIED – ELECTRIC RELEASED



EMP 95
Braking force 10700-33500 N

ELECTRIC ACTIVATED – SPRING APPLIED MANUAL RELEASED



EFP 2 x 40, EFP 2 x 60, EFP 2 x 75 & EFP 2 x 100
Braking force 14000-120000 N

LOCKING DEVICES

The Dellner Brakes locking devices (LM) have a specially designed tapered pawl that is engaged into a machined slot on the outer peripheral of a brake disc or a shaft flange. The LM devices are equipped with proximity switches for ON/OFF detection.

The LM devices are fail safe and can be used to mechanically lock a shaft which allows for safe maintenance procedures to be conducted on or around entire shaft line arrangement.

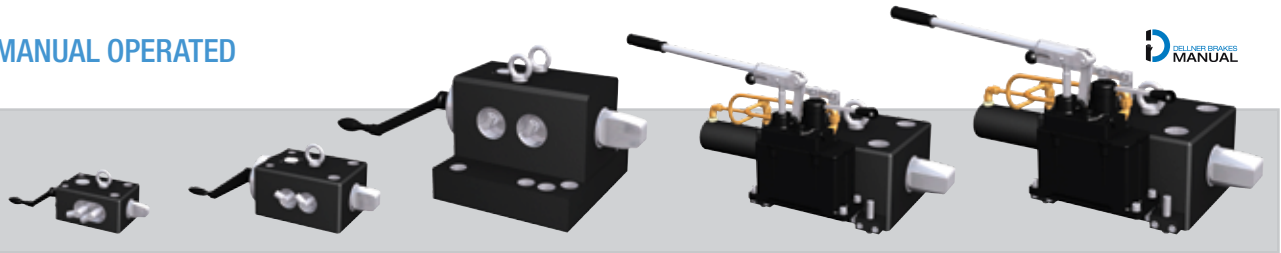
Examples of applications

- Propulsion Shaft lines
- Grinding, Rod & Ball Mills etc.
- Conveyors
- Wind Mills
- Dredgers

Advantages

- The Dellner Brakes locking devices (LM-series) are compact, tested and delivered as one unit with one mounting interface.
- If only a holding function of the shaftline is required, a locking device will be more cost effective and compact when compared to a holding brake solution.
- The Dellner LM-series will achieve a higher locking torque compared to other holding brake solutions, as these will involve some friction coefficient depending on which material is used for holding.

MANUAL OPERATED



LM 20
Locking force 125 kN

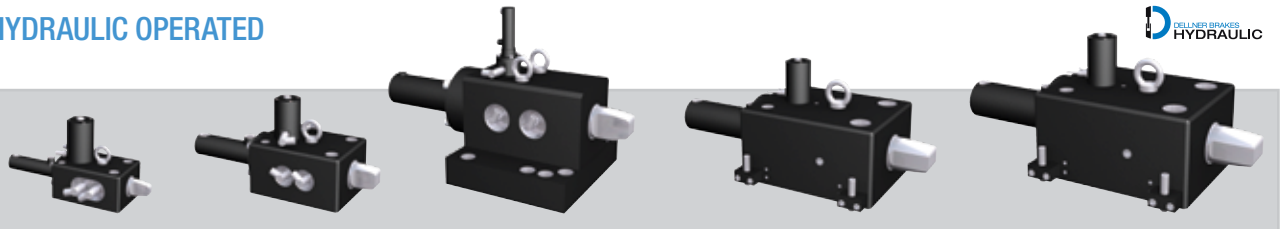
LM 40
Locking force 250 kN

LM 50
Locking force 500 kN

LM 70
Locking force 750 kN

LM 95
Locking force 1 000 kN

HYDRAULIC OPERATED



LM 20
Locking force 125 kN

LM 40
Locking force 250 kN

LM 50
Locking force 500 kN

LM 70
Locking force 750 kN

LM 95
Locking force 1 000 kN

On request the LM devices also can be delivered in an electric operated version.



PRESSURE SUPPLY

HYDRAULIC POWER PACK

The Dellner Hydraulic Power Pack series DH 2000 are available in four different models, each has several different options. The main functions of the different models are as follows:

DH 2100: “On/Off” unit with an optional accumulator.

DH 2200: Unit with “Separate function” available as an option to make it possible to pressurise two braking systems individually and independently. Other options are accumulator, hand pump and pressure switches.

DH 2300: Unit with proportional valves in order to achieve a controlled braking operation by programming desired braking curve, controlled by an optional PLC in an electrical terminal box. Other options are accumulator and hand pump.

DH 2400: Unit with “Double control valves” for critical applications such as overhead cranes, etc. Other options are accumulator, hand pump, pressure switches and additional filter unit.

All four models can be delivered with optional enclosed hydraulic cabinets and electrical terminal boxes.

The electrical terminal boxes can be delivered with optional quick connectors and/or fireproof cables.

COMPACTUS

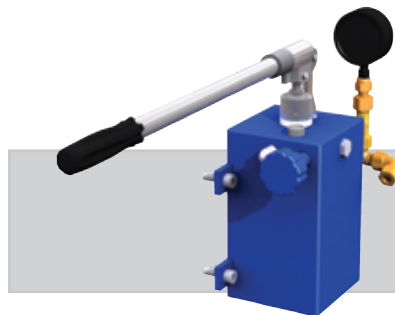
Compactus is a pneumatically operated hydraulic pump system that multiples pneumatic line pressure into hydraulic pressure that is sufficient to operate pressure applied disc brakes at rated capacity. The intensification ratio is 1:44.

Compactus is supplied in an enclosed cabinet, that contains the pneumatically operated hydraulic pump with valves, pneumatic pressure regulator with filter unit and a shut-off valve. Optional control valve(s) is also available that makes it possible to control different brakes individually.

HANDPUMP

The Hand Pump is a device used for simple manual activation of the Dellner Disc Brake calipers. It can also be used as a back up system to the primary pressure supply system.

On request we also design and supply customized pressure supply units.





Head Office

Dellner Brakes AB
Vikavägen 144
SE-791 95 Falun
SWEDEN

US Office

Dellner Industrial Inc.
8334-H Arrowridge Blvd.
Charlotte, N.C. 28273
USA

www.dellner-brakes.com