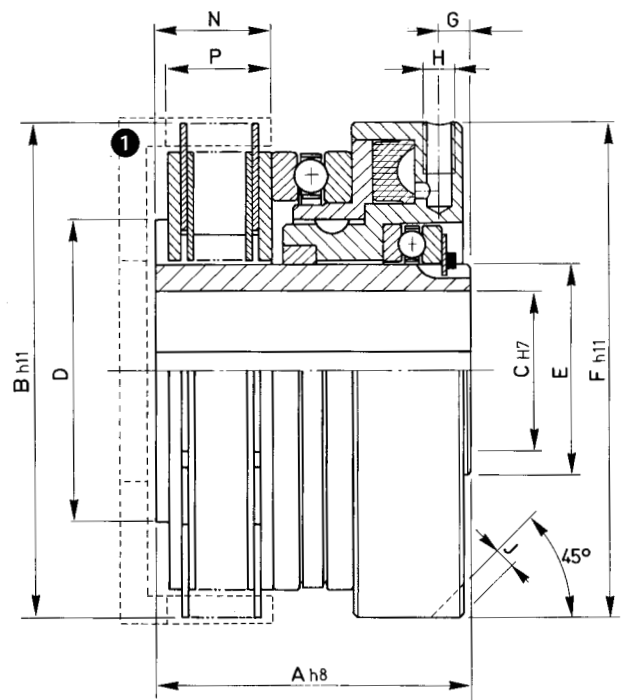
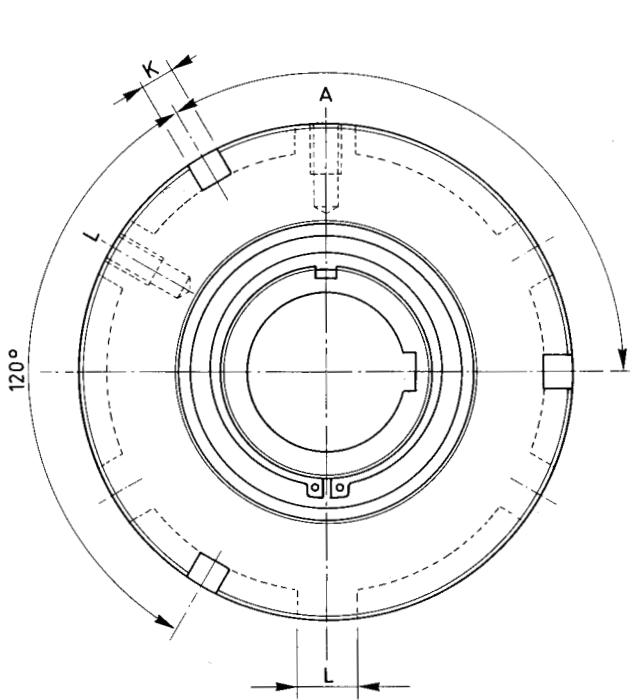


SERIE / MODEL
CODICE / CODE

PNS □□□
 03.02.□□□.01



A = Alimentazione aria / Air supply
L = Lubrificazione / Lubrication

| □□□ | Momenti Torques | | Pressione lavoro Working pressure bar | Volume cilindro Cilinder volume cm ³ | Peso Weight kg | Dischi esterni External plates N. | Campana Cap Housing ① |
|------------|--------------------|---------|---|---|----------------------|---|-----------------------------|
| | Ms (Nm) | Ms (Nm) | | | | | |
| 025 | 30 | 55 | 6 | 8 | 2,5 | 5 | C 3/b |
| 045 | 70 | 130 | 6 | 11 | 3,8 | 6 | C 4 |
| 065 | 115 | 200 | 6 | 19 | 7 | 6 | C 6/b |

| □□□ | A | B | C | | D | E | F | G | H | J | K | L | N | P | Alette Lugs N. |
|------------|----|-------|-----|-----|----|----|-----|---|------|---|----|----|----|----|----------------------|
| | | | min | max | | | | | | | | | | | |
| 025 | 69 | 97 | 16 | 30 | 59 | 40 | 98 | 6 | 1/8" | 4 | 8 | 12 | 24 | 22 | 6 |
| 045 | 75 | 116,5 | 20 | 40 | 72 | 50 | 112 | 6 | 1/8" | 5 | 8 | 15 | 29 | 25 | 6 |
| 065 | 90 | 145 | 25 | 46 | 92 | 60 | 130 | 7 | 1/8" | 6 | 10 | 16 | 33 | 30 | 8 |