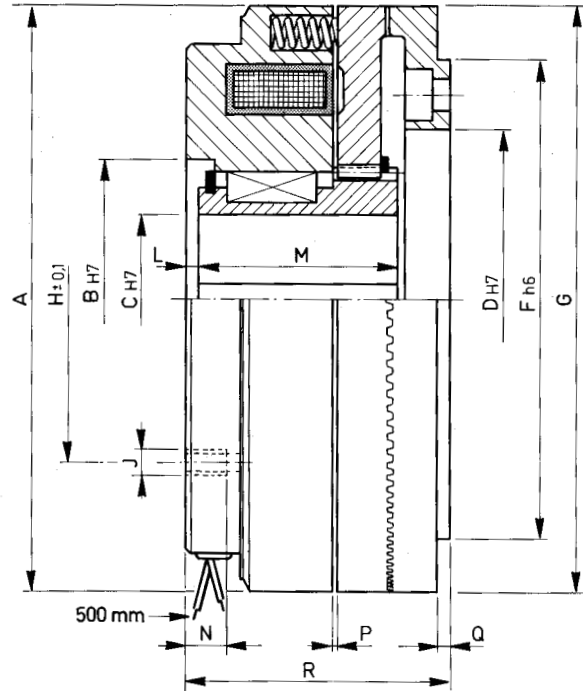
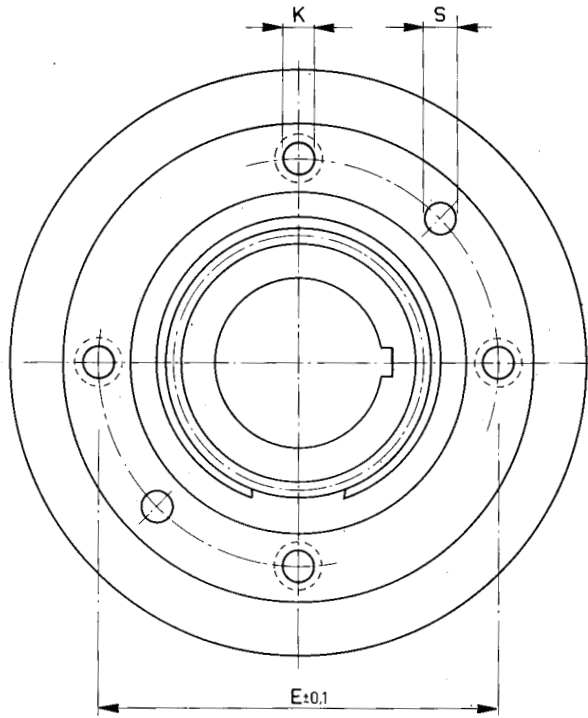


SERIE / MODEL
 CODICE / CODE

EC-N □□□/Z-F
 07.90.□□□.01



| □□□ | Momenti Torques Ms (Nm) | Giri/1' R.P.M. max | 20° | WATT | 120° | Spinta assiale sulla corona dentata Axial thrust on the crown ring daN | Peso Weight kg |
|-----|-------------------------------|--------------------------|-----|------|------|--|----------------------|
| 082 | 25 | 4500 | 30 | | 18 | 22 | 1,8 |
| 090 | 35 | 4500 | 38 | | 26 | 30 | 2 |
| 105 | 70 | 4000 | 45 | | 33 | 51 | 2,7 |
| 115 | 100 | 3500 | 50 | | 37 | 67 | 3,5 |
| 125 | 160 | 3300 | 65 | | 46 | 100 | 4,4 |
| 140 | 250 | 3000 | 85 | | 64 | 140 | 6,3 |
| 160 | 400 | 2500 | 96 | | 68 | 190 | 9 |
| 185 | 650 | 2200 | 115 | | 81 | 270 | 14 |
| 215 | 1050 | 2000 | 135 | | 95 | 370 | 20 |

| □□□ | A | B | C max | D | E | F | G | H | J n° x Ø | K n° x Ø | L | M | N max | P | Q | R | S n° x Ø |
|-----|-----|----|----------|-----|-----|-----|-----|-----|-------------|-------------|-----|------|----------|-----|-----|-----|-------------|
| 082 | 82 | 40 | 18 | 46 | 56 | 65 | 82 | 54 | 4xM5 | 4x4,5 | 2 | 40 | 8 | 1 | 2 | 47 | 2x 4 |
| 090 | 90 | 46 | 25 | 53 | 64 | 75 | 90 | 54 | 4xM4 | 4x5,5 | 2 | 31,5 | 10 | 1 | 2 | 40 | 2x 5 |
| 105 | 105 | 52 | 28 | 65 | 75 | 85 | 105 | 62 | 4xM5 | 4x5,5 | 2 | 36 | 10 | 1 | 2 | 44 | 2x 5 |
| 115 | 115 | 58 | 32 | 70 | 85 | 100 | 115 | 68 | 4xM6 | 4x6,5 | 2,5 | 38,5 | 12 | 1 | 2 | 50 | 2x 6 |
| 125 | 125 | 62 | 35 | 75 | 90 | 105 | 125 | 72 | 4xM6 | 4x6,5 | 2,5 | 44,5 | 12 | 1,3 | 2,5 | 58 | 2x 8 |
| 140 | 140 | 70 | 42 | 85 | 100 | 115 | 140 | 80 | 4xM6 | 4x6,5 | 2,5 | 54,5 | 15 | 1,3 | 2,5 | 67 | 3x 8 |
| 160 | 166 | 78 | 45 | 95 | 115 | 130 | 160 | 90 | 4xM8 | 6x8,5 | 3 | 59 | 15 | 1,5 | 3 | 75 | 3x 8 |
| 185 | 185 | 84 | 50 | 115 | 135 | 155 | 185 | 106 | 6xM8 | 6x8,5 | 3 | 68 | 15 | 1,5 | 3 | 85 | 3x10 |
| 215 | 210 | 96 | 60 | 130 | 155 | 180 | 215 | 124 | 6xM8 | 6x8,5 | 3 | 81 | 15 | 1,5 | 4 | 100 | 3x10 |