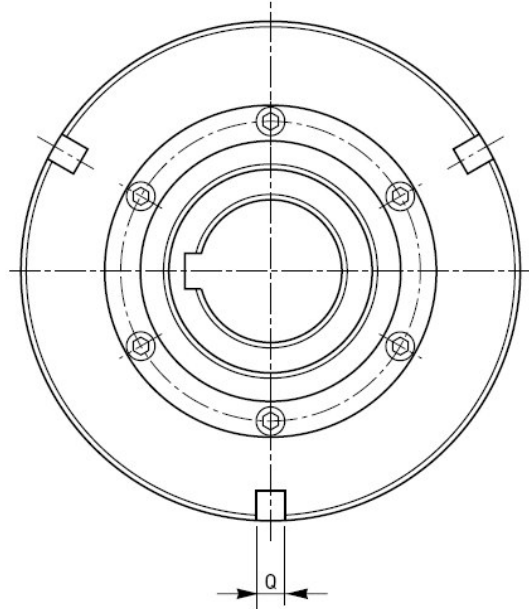
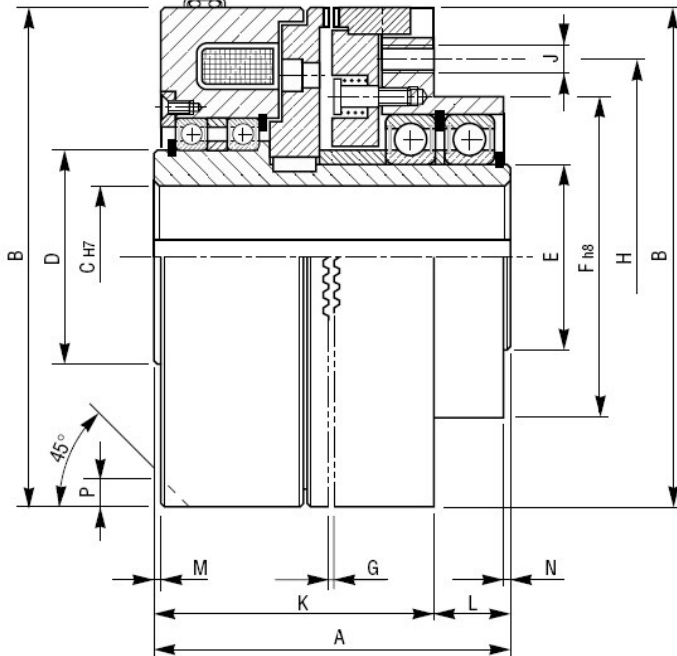


ESBR □ □ □ /Z

Innesto Elettrico / Electrical Engaged

Lunghezza cavetti: 500 mm
 Cables length



Tensione di Alimentazione: 24Vcc (Tensioni diverse a richiesta)

Power Supply: 24Vdc (Different Voltages only on request)

MODELLO MODEL	CODICE CODE	Momento Ms Torque [Nm]	Giri Max/1' R.P.M. Max	Tempi Innesto-Disinnesto Build up-Decay time [ms]		Bobina - Coil Watt-Ω (20°C)		Peso Weight [kg]
ESBR 060/Z	07.40.060.01	20	8500	20	30	15.5	37	1.5
ESBR 070/Z	07.40.070.01	40	7000	22	35	26.0	22.1	1.8
ESBR 082/Z	07.40.082.01	100	4000	24	40	47.0	12.2	2.0
ESBR 095/Z	07.40.095.01	200	3800	26	50	58.5	9.8	3.0
ESBR 114/Z	07.40.114.01	300	3600	32	70	62.5	9.2	4.0
ESBR 134/Z	07.40.134.01	600	3400	42	100	99.0	5.8	8.0
ESBR 166/Z	07.40.166.01	1400	3200	68	180	106	5.4	12
ESBR 195/Z	07.40.195.01	2000	3000	76	300	144	4.0	22
ESBR 210/Z	07.40.210.01	3000	2800	80	400	192	3.0	29
ESBR 240/Z	07.40.240.01	4000	2500	115	680	213	2.7	45
ESBR 260/Z	07.40.260.01	6000	2000	130	950	288	2.0	52
ESBR 295/Z	07.40.295.01	9000	1700	143	1100	320	1.8	60
ESBR 325/Z	07.40.325.01	12000	1500	160	1250	360	1.6	65

MODELLO MODEL	CODICE CODE	A	B	C		D	E	F	H	J	K	L	M	N	PxQ
				min	Max										
ESBR 060/Z	07.40.060.01	54	60	8	14	20	25	37	48	3xM5	48	6	0.5	2.5	2.5x4
ESBR 070/Z	07.40.070.01	64	70	10	15	23	30	47	58	3xM6	56	8	1	4.5	2.5x5
ESBR 082/Z	07.40.082.01	80	82	10	20	35	30	62	72	3xM5	58	22	1	1	3x6
ESBR 095/Z	07.40.095.01	84	95	15	30	45	40	70	82	3xM6	63	21	1	3	4x6
ESBR 114/Z	07.40.114.01	97	114	20	30	50	40	75	88	3xM6	71.5	25.5	1	2.5	5x8
ESBR 134/Z	07.40.134.01	112	134	20	40	60	50	90	106	3xM8	86	26	1	1	7x8
ESBR 166/Z	07.40.166.01	127	166	30	50	75	65	112	135	6xM8	97.5	29.5	1	2.5	6x8
ESBR 195/Z	07.40.195.01	140	195	35	60	80	80	138	155	6xM8	101	39	1	5	8x12
ESBR 210/Z	07.40.210.01	165	210	40	65	85	85	145	165	6xM10	119	46	2	3	8x12
ESBR 240/Z	07.40.240.01	180	240	45	75	100	95	170	205	6xM12	129.5	50.5	1.5	3.5	10x12
ESBR 260/Z	07.40.260.01	190	258	50	85	100	100	180	210	8xM12	132	58	2	9.7	10x12
ESBR 295/Z	07.40.295.01	225	295	55	95	130	120	200	220	9xM14	157.5	67.5	8.5	7.5	12x14
ESBR 325/Z	07.40.325.01	270	325	60	120	150	150	225	280	9xM20	252	18	7	8	12x14