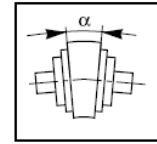
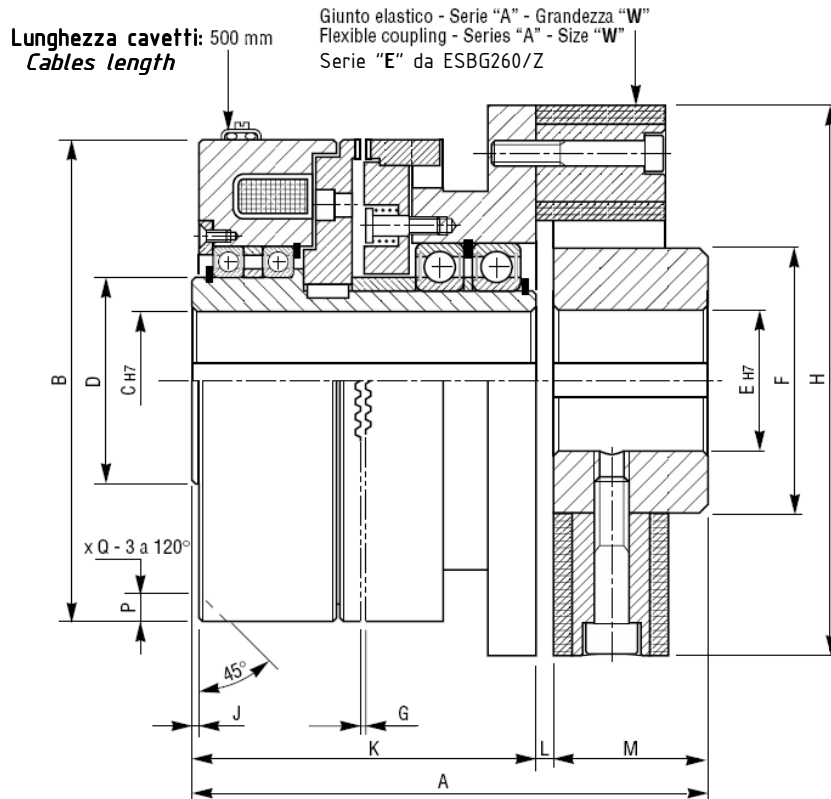
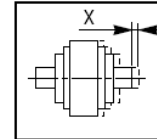


ESBG□□□/Z

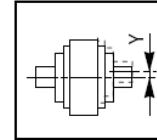
Innesto Elettrico / Electrical Engaged



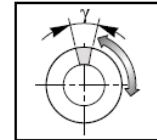
Elasticità Angolare
Angular Elasticity



Elasticità Assiale
Axial Elasticity



Elasticità Radiale
Radial Elasticity



Angolo di Torsione
Angle of Twist

Tensione di Alimentazione: 24Vcc (Tensioni diverse a richiesta)

Power Supply: 24Vdc (Different Voltages only on request)

MODELLO MODEL	CODICE CODE	Momento Ms Torque [Nm]	Giri Max/1' R.P.M. Max	Tempi Innesto-Disinnesto Build up-Decay time [ms]		Bobina - Coil Watt-Ω (20°C)		Giunto W Size	Peso Weight [kg]
ESBG 060/Z	07.42.060.01	20	8500	20	30	15.5	37	1	2.0
ESBG 070/Z	07.42.070.01	40	7000	22	35	26.0	22.1	2	3.0
ESBG 082/Z	07.42.082.01	100	4000	24	40	47.0	12.2	8	3.6
ESBG 095/Z	07.42.095.01	200	3800	26	50	58.5	9.8	12	5.0
ESBG 114/Z	07.42.114.01	300	3600	32	70	62.5	9.2	16	6.5
ESBG 134/Z	07.42.134.01	600	3400	42	100	99.0	5.8	30	12.0
ESBG 166/Z	07.42.166.01	1400	3200	68	180	106	5.4	50	18.5
ESBG 195/Z	07.42.195.01	2000	3000	76	300	144	4.0	140	30.0
ESBG 210/Z	07.42.210.01	3000	2800	80	400	192	3.0	140	42.0
ESBG 240/Z	07.42.240.01	4000	2500	115	680	213	2.7	140	58.0
ESBG 260/Z	07.42.260.01	6000	2000	130	950	288	2.0	E-275	80.0
ESBG 295/Z	07.42.295.01	9000	1700	143	1100	320	1.8	E-275	100
ESBG 325/Z	07.42.325.01	12000	1500	160	1250	360	1.6	E-350	110

MODELLO MODEL	CODICE CODE	A		B		C		D	E		F	H	J	K	L	M	PxQ	Giunto Elast./Flexible Coupling			
		min	Max	min	Max	min	Max		X	Y								α	γ		
ESBG 060/Z	07.42.060.01	82	60	8	14	20	8	19	30	56	1	56	2	24	2.5x4	2	1.5	3°	17°		
ESBG 070/Z	07.42.070.01	98	70	10	15	23	10	28	40	85	1	66	4	28	2.5x5	3	1.5	3°	17°		
ESBG 082/Z	07.42.082.01	126	82	10	20	35	10	38	60	120	1	58	22	1	3x6	4	2	3°	14°		
ESBG 095/Z	07.42.095.01	130	95	10	30	45	12	38	60	122	1	84	4	42	4x6	4	2	2°	7.5°		
ESBG 114/Z	07.42.114.01	153	114	20	30	50	15	48	70	150	1	97	6	50	5x8	5	2	3°	14°		
ESBG 134/Z	07.42.134.01	186	134	20	40	60	20	65	100	200	1	112	8	66	5x8	5	2	3°	14°		
ESBG 166/Z	07.42.166.01	201	166	30	50	75	20	65	100	200	1	127	8	66	6x8	5	2	2°	7.5°		
ESBG 195/Z	07.42.195.01	228	195	35	60	80	30	75	125	260	1	140	8	80	8x12	5	2	2°	7.5°		
ESBG 210/Z	07.42.210.01	253	210	20	65	85	30	85	125	260	2	165	8	80	8x12	5	2	2°	7.5°		
ESBG 240/Z	07.42.240.01	268	240	45	75	100	30	85	120	260	1.5	180	8	80	10x12	5	2	2°	7.5°		
ESBG 260/Z	07.42.260.01	286.5	258	45	85	100	40	100	14.5	275	2	190	-	96.5	10x12	Vedi Scheda Tecnica/See technical sheet					
ESBG 295/Z	07.42.295.01	321.5	295	50	95	130	40	100	14.5	275	8.5	225	-	96.5	12x14	Vedi Scheda Tecnica/See technical sheet					
ESBG 325/Z	07.42.325.01	376.5	325	60	120	150	40	120	192	365	7	270	-	106.5	12x14	Vedi Scheda Tecnica/See technical sheet					