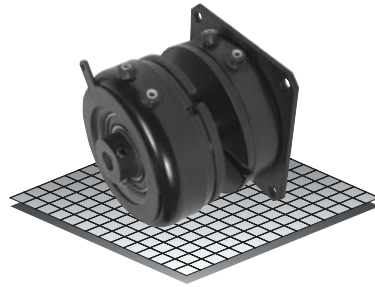


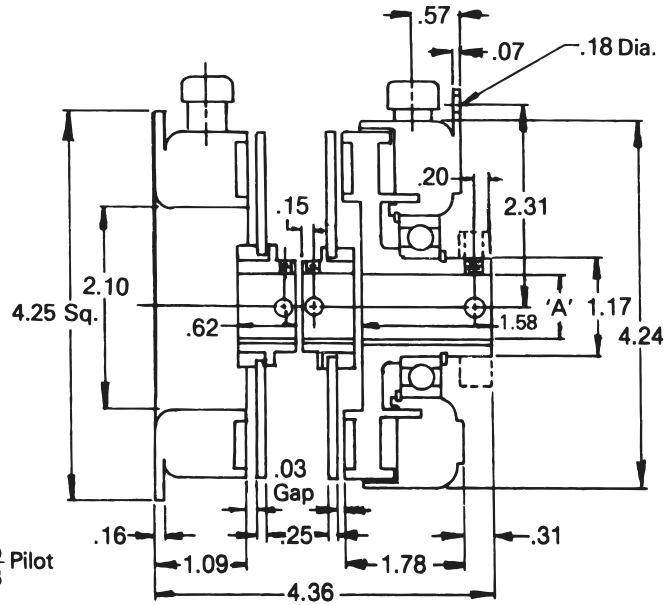
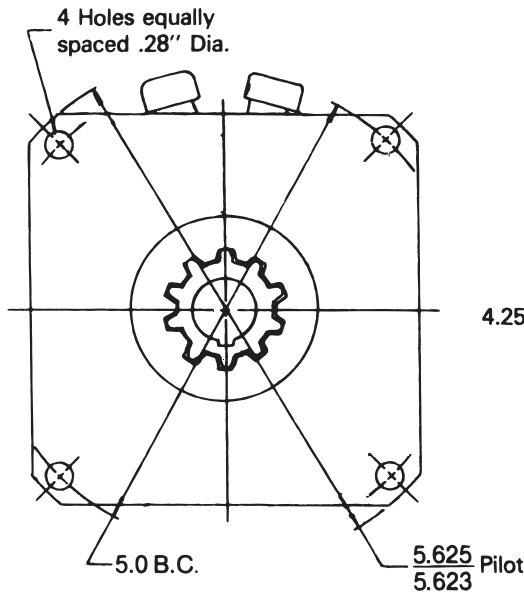
# Clutch-Brake Coupling

Model

● 304



- ▶ Stationary Field
- ▶ Bearing Mounted
- ▶ Spline Drive



Bore "A"	"B" Keyway
1/2"	.125 x .062
5/8"	.187 x .094
3/4"	.187 x .094

## Technical Data and Torque (In. Lb.)

Model No.	Wt. Lbs.	Static Torque in. lb.	Max. Speed RPM	Coil Voltage vdc	* Rated Current amps	RPM									
						0	300	600	900	1200	1500	1800	2400	3000	3600
304	6.0	264	3600	90	.13	264	216	192	180	168	156	156	144	132	120

\* Rated current at 90v.

Customer must maintain:

1. Concentricity between mounting flange and shaft within .006.
2. Perpendicularity between mounting surface and shaft within .006.

Refer to Section M for torque and heat dissipation curves.

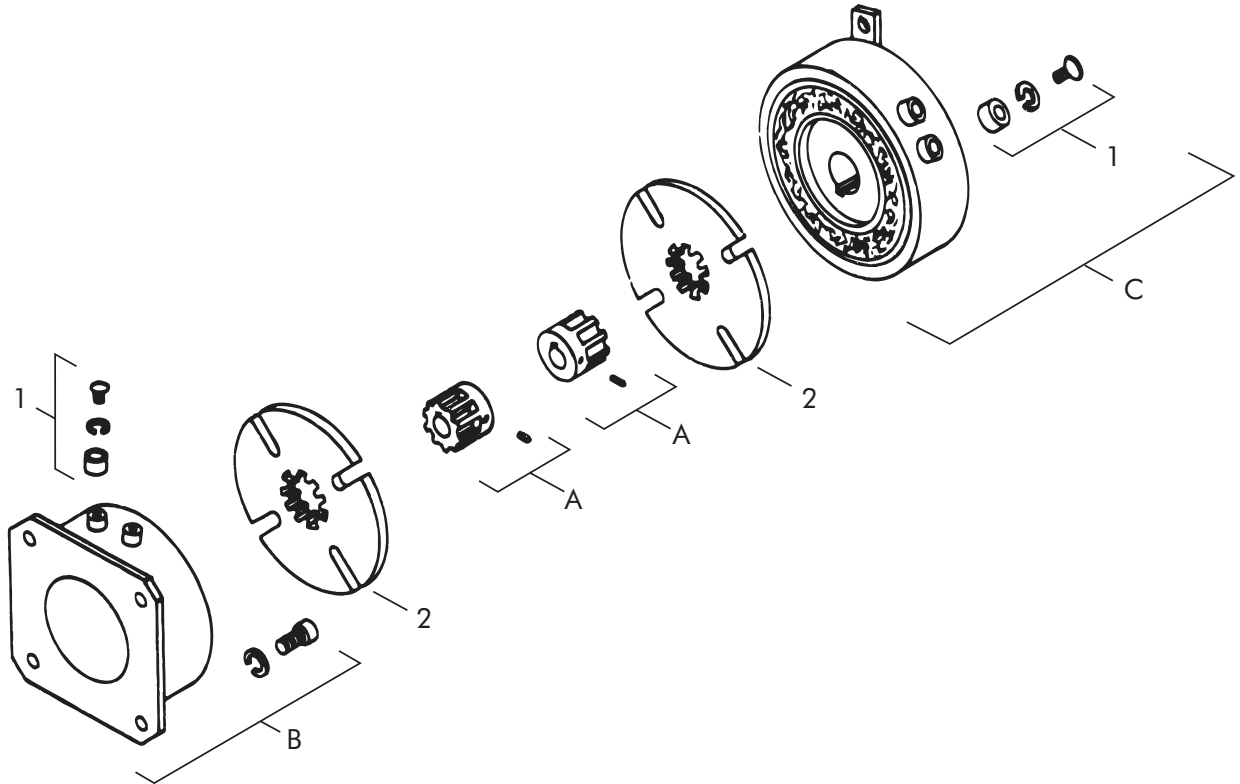
## Order Parts for Assembly No. FC304170

	Magnet Accessory	Armature Plate	Magnet (Brake)	Armature Hub Assembly			Bearing Mounted Rotor & Field		
				Bore			Bore		
				1/2"	5/8"	3/4"	1/2"	5/8"	3/4"
24 Volts	326146-2	304390-11	304353	303451-3	303451-5	303451-8	304773-1	304773-3	304773-5
90 Volts	326146-2	304390-11	304354	303451-3	303451-5	303451-8	304774-1	304774-3	304774-5

To order, specify: 2, Magnet Accessories  
 2, Armature Plates  
 1, Magnet (Brake)  
 2, Armature Hub Assemblies of required Bores  
 1, Bearing Mounted Rotor & Field of required Voltage and Bore

For controls, see Section K.

# Clutch-Brake Coupling – Replacement Parts



## Replacement Parts

Item	Qty.	Description	Part No.	Item	Qty.	Description	Part No.
1	2	Magnet Accessories	326146-2	C	1	Bearing Mounted Rotor & Field	
2	2	Armature Plate	304390-11			24 Volts, 1/2" Bore	304773-1
B	1	Magnet (Brake)				24 Volts, 5/8" Bore	304773-3
		6 Volts	304351			24 Volts, 3/4" Bore	304773-5
		24 Volts	304353			90 Volts, 1/2" Bore	304774-1
		90 Volts	304354			90 Volts, 5/8" Bore	304774-3
A	2	Armature Hub Assembly				90 Volts, 3/4" Bore	304774-5
		1/2" Bore	303451-3				
		5/8" Bore	303451-5				
		3/4" Bore	303453-8				